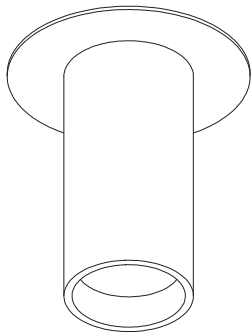


CROMIA

Ceiling lamp
with backplate
for indoor use only

plato
DESIGN



Design: **Alessandro Mattei, Caterina Naglieri**

Year: **2022**

BULB:

GU10 MAX 8W LED ONLY 120 V - 60 Hz. Only use bulbs of the type and wattage indicated on the rating plate.

HANDMADE IN ITALY



ASSEMBLY INSTRUCTIONS:

Warning! Installation must be carried out by qualified personnel. Always shut off power to the circuit before starting installation work. In some countries electrical installation work may only be carried out by an authorised electrical contractor. Different materials require different types of fittings. Always choose screws and plugs that are specially suited to the material.

Fig.1 Fix the metal bracket to the junction box using two screws suitable for the junction box.

Fig. 2 Place the backplate on the back of the lamp matching the two holes.

Fig. 3 Make electrical connection.

Fig. 4 Fix the lamp to the bracket with the two provided screws, using the supplied washers and rubber rings. In case of installation of the 20 cm model, use a 250 mm screwdriver.

Fig.5 Insert light bulb.

CLEANING AND MAINTENANCE:

Do not use alcohol or other solvents. Use only a soft cloth to clean the lamp, dampened with water and soap or mild cleanser if needed for resistant dirt. IT IS A FRAGILE PRODUCT. HANDLE WITH CARE.

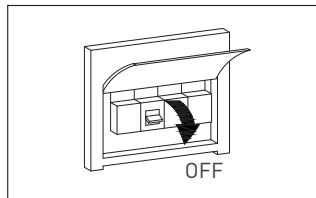


Fig.1

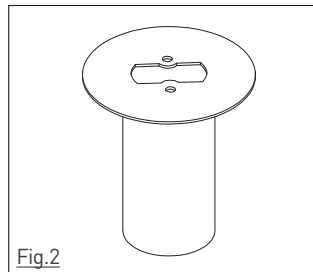
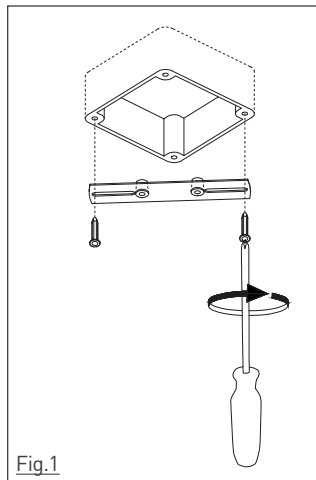


Fig.2

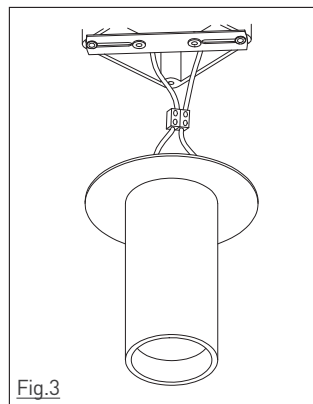


Fig.3

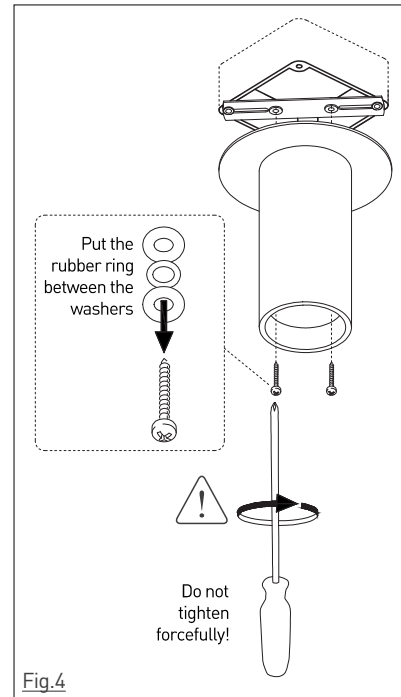


Fig.4

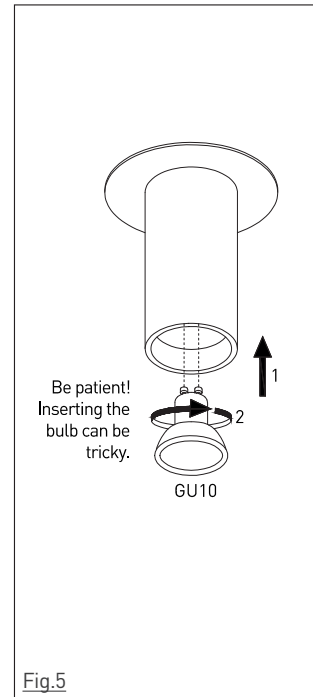


Fig.5

HANDMADE IN ITALY



Plato Design srls

Sede operativa:
Via Prenestina 1154/D
00132 Roma - Italy

Sede legale:
Via G.A. Cesareo 26
00137 Roma - Italy

P.IVA IT13566841006

Iscr. Registro AEE
IT18020000010239

t. +39 3928817148
www.platodesign.it



Made in Italy

PLATO DESIGN